

YACHT VISIONS

Low Light Navigation Redefined!



YACHT
CAM.net

High Definition Thermal
Imaging and Daylight Cameras

For Vessels 45-200 FT

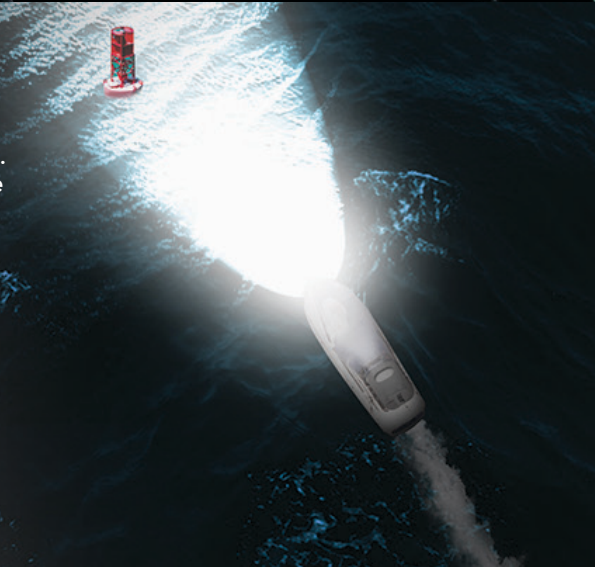
YACHT
BEAM.com

High Power Multi-Million
Candle Power Searchlights



THE COMPANY

Yacht Visions is a division of The Yacht Group, one of the yachting industry's most innovative companies supplying and supporting leading technology to your vessel. Our extreme low light & thermal imaging cameras and powerful commercial grade searchlights offer safety and superior quality for your night navigation at sea. Yacht Cam offers hi-resolution optical cameras and thermal imaging technology that sets the maritime standard for extremely dark conditions. Yacht Beam is the most essential piece of equipment on board for night operation. Why risk using a basic low power light when our amazing luminous marine engineered searchlights can make night cruising into day cruising. Our navigational equipment is installed on vessels ranging from 45' to over 200' feet. Our knowledgeable staff brings an unparalleled level of expertise, professionalism, and support to the yachting industry. When it comes to safety and precise control of your vessel, let the Yacht Group team be your guide.



REDEFINING LOW-LIGHT YACHT NAVIGATION!



The Yacht Cam thermal cameras feature full PTZ capability and superb resolution for high definition images in gray-scale or color palettes. Many features such as digital stabilization, video 'hotspot', radar tracking, freeze frame, video/still image capturing dual video output, hi detection, recognition ranges, and much more are standard. Yacht Cam series models also include incredible hi resolution daylight cameras with 30x optical zoom capability in 1080p, hi-color saturation of 2.13 megapixel, and the ability to provide images at an extremely low light sensitivity of .0008 lux, or less light than starlight! Our cameras coupled with our user-friendly joystick provide an automatic home, forward scanning, rotation, zoom, and control. Plus an easy to read panel protected with a waterproof skin cover. Five models of Yacht Cam make it easy to choose the right one for your vessels operating requirements.

Yacht Beam's high power searchlights utilize HID (Hi-Intensity Discharge) metal halide twin bulbs, or 150, and 300-watt Xenon bulbs for the brightest and cleanest intense white light. These searchlights for vessels 45 to 200+ feet range in candlepower from 1 to 8 million and are unquestionably the most essential piece of equipment you can have on board for nighttime naked eye visibility and operation. Yacht Beam searchlights turn darkness into daytime at the flick of a switch for instant visibility and safety at sea. Their rugged aluminum marine housing and glass lenses are built to take the harshest saltwater marine environment and will provide reliable operation and control when you need it most. Yacht Beam's amazing luminous marine engineered searchlights are easy to control with ease and precision using our military grade illuminating joystick or our micro wireless remote.



YACHT CAM FEATURES

Tracking and/or Radar Tracking

Yacht Cam series cameras receive, read and analyze NMEA0183 data strings from Radar and manage algorithm calculation from current vessel position to the target. The camera will then move to actively view the target.

Digital Stabilization

The built-in digital stabilization system to compensate vertical angles to stabilize images, enabling the camera to perform well in rough weather and sea conditions.

Continuous Thermal Imaging

The uncooled 640 x 480 / 384 x 288 thermal core at 25hz / 30hz provides clear and continuous thermal images.

Extreme Low Light Sensitivity * Not Available on Yacht Cam Lite
0.0013 Lux (color) and an amazing .0008 LUX (Black and white)

Network Video Output

The network video output can be linked up to 5 displays. NMEA certified.

Compatible with

Garmin, Furuno, Raymarine, and all other display screens.





Indicators on Thermal & Daylight Images

Position indicators, status, and scene icons are displayed on both thermal and daylight cameras. Providing direct and exact information to assist navigation.

Image Freeze Capability on Thermal & Daylight Images

Yacht Cam cameras support freezing images on demand. This enables more detailed review and analysis of specific images.

More Key Features:

- 360 pan and tilt/flip 15-90 degrees
- ISO9001 Certified
- High detection range performance

- High line resolution of 2.13 megapixel provides extreme definition
- HD Color CMOS for perfect color differentiation
- Fast Video refresh rate
- Continuous 2x,4x Zoom
- Uncooled Amorphous Silicon FPA, resolution: 384X288 / 640X480
- 1/2.8" CMOS color visual camera, 2.14MP, 20X optical zoom
- Dual Analog outputs for color visual camera and thermal imaging camera
- Dual H.264 output for color visual camera and thermal imaging camera
- **Waterproof index: IP67**





Auto, Random and Frame Scan

Auto Scan: Select camera forward scanning of 90° (45° left and right) from the center position to assist in easily seeing what is ahead.

Anchor/Security Scan: Select rotational camera scan 360° continuously starting from its current position.

Home Scan: Select the camera home position to which it will return immediately at the touch of the "Home" button.

Extreme Magnification

Extreme clarity and magnification of 30X optical and an additional 12X digital.

Extreme Stability

Offering digital stabilization (automatic) and wide dynamic range.

Screen Capture

Capture and save still photography and video with the Yacht Cam high-resolution daylight and thermal cameras.



Condition	Light Level in Lux
Sunlight	10,527
Daylight	10,752.7
Cloudy (Daylight)	1,075.3
Dark Day	107.53
Twilight	10.75
	(Competitors require twilight or higher lux)
Deep Twilight	1.08
Full Moon	0.108
Quarter Moon	0.0108
Starlight	0.0011 Yacht Cam super hi-resolution, low light imaging available at less than starlight
	(Yacht Cam requires .0008 lux to provide black and white image or .0015 for color)
Cloudy (Night)	0.0001

CAMERA MODE FEATURES



MOB Mode

MOB (abbreviation of Man Over Board) is adjusted to display more details of the man who is in the water.



Night Mode

Night mode, the AGC is adjusted to display darker thermal image.



Day Mode

Day mode, the AGC is adjusted to display brighter thermal image.



Docking Mode

Docking is adjusted to display more details of the camera and easily find the docking obstacles.



Stabilization



Tilt Angle Indicator



Tracking



Horizontal Angle Indicator

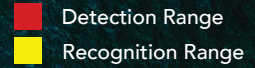
YACHT CAM SERIES

Our leading-edge pan/tilt/zoom (PTZ) thermal imaging technology sets the maritime standard for robust and rugged thermal imaging systems. Housed in a durable aluminum casing, the Yacht Cam is a marine commercial grade, anti-corrosive and works properly even in the toughest of sea conditions.

	Cam		Cam Plus	
Resolution	384 x 288		640 x 480	
Display	Black Hot / White Hot		Black Hot / White Hot / Color Palettes	
Focal Length	19mm	40mm	19mm	40mm
FOV	19.5° x 14.7°	9.3° x 7°	32.0 x 24.2°	15.5 x 11.6°
IP Index	IP67			
Optical Zoom	30X			
Digital Zoom	12X			
Dual Steam	Up to 10			
Weight	13.9Lb (6.3Kg)			
Pan Range	360° Continuous			
Sensor Type	Uncooled Amorphous Silicon FPA			
Video Sensor	1/2.8" SONY "Exmor" CMOS , 2.13MP			



Thermal Detection -



19MM

Yacht Cam

Field of View (FOV)

19.5° x 14.7°

Yacht Cam Plus

Field of View (FOV)

32° x 24.2°

Yacht Cam Lite

Field of View (FOV)

19.5° x 14.7°

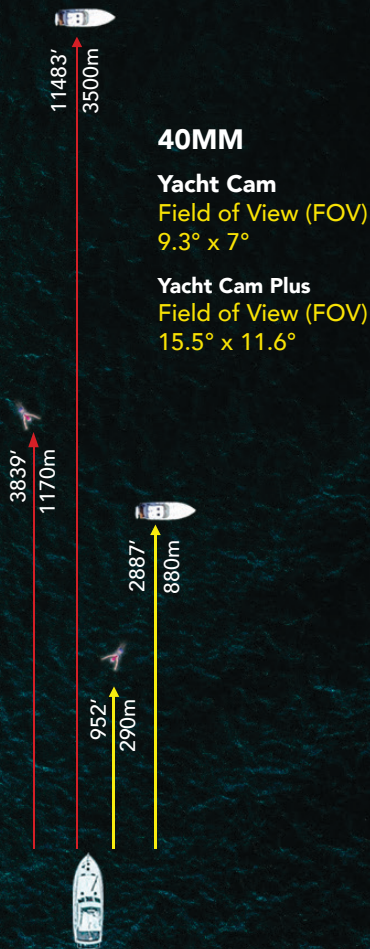
Yacht Cam Lite Plus

Field of View (FOV)

32° x 24.2°



- Recognition Range



40MM

Yacht Cam

Field of View (FOV)
9.3° x 7°

Yacht Cam Plus

Field of View (FOV)
15.5° x 11.6°

YACHT CAM LITE

	Lite	Lite Plus
Resolution	384 x 288	640 x 480
Display	White Hot/ Black Hot	White Hot/ Black Hot / Color Palettes
Focal Length	19mm	19mm
FOV	19.5° x 14.7°	32.5° x 24.5°
IP Index		IP66
Optical Zoom		30X
Digital Zoom		12X
Day / Night		Auto/Manual
Weight		4.6Lb (2.1Kg)
Pan Range		360° Continuous
Sensor Type		Uncooled Amorphous Silicon FPA
High Definition	1080P30, 1080I60, 720P60, 1080P25, 1080I50, 720P50, 720P25	





All-in-One Super Features

Yacht Cam Brite is a powerful all-in-one super feature spotlight, ultra low light camera with optical zoom, and automatic spotlight mode for clarity, and visibility.

Built-in windshield wiper provides for super clear images regardless of spray, rain or sea conditions.

Auto Flip

When the camera tilts downward and goes just beyond the vertical angle, the camera image rotates 180°.

Wide Spot Beam

The Yacht Cam Brite produces a wide spot low and high beam with an effective working beam of 1000 feet designed for use in all weather conditions and automatically increases intensity when zooming.

- Resolution** 384 x 288
- Display** HD Color CMOS for perfect color differentiation
- IP Index** IP67
- Optical Zoom** 30X
- Digital Zoom** 12X
- Weight** 11Lb (4.9Kg)
- Pan Range** 360° Continuous

Extreme Definition

High line resolution of 2.13 megapixel provides an extreme definition.



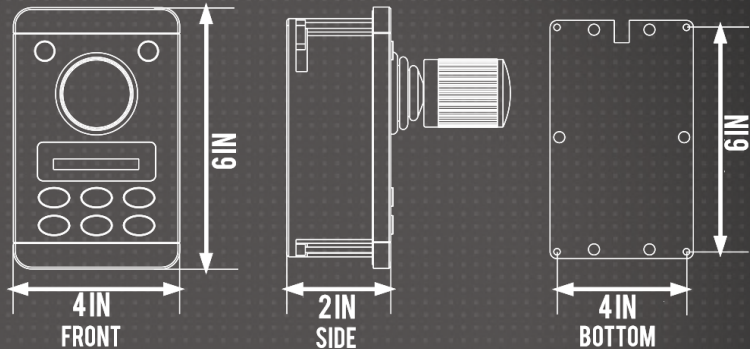


JOYSTICK CONTROLLER

**Ergonomic user-friendly joystick features
customized buttons for each camera model**

- OLED display
- IP66 waterproof
- 3 axis joystick, OLED display
- Two color backlights
- Support to customize keys
- Custom keys for forward scan, surround scan and more
- Control through both RS485 cable and Ethernet
- IP66 Waterproof with waterproof neoprene fitted cover
- Control basic features of Yacht Cam series hi- definition daylight and thermal cameras

Interface Protocol	RS-485/ Ethernet
Baud Rate	PELCO-D-, PELCO-P
Address	2400bps, 4800bps, 9600bps, 19200bps
Joystick	0~255
Display	3-axis, speed adjustable
Power	OLED
Power Consumption	POE, DC10.8~28V
Temperature	<1.6W
Storage Temperature	32°F ~ 104°F (0°C ~ +40°C)
Relative Humidity	-4°F ~ 122°F (-20°C ~ +50°C)
Dimensions	≤90% (non-condensation)
Weight	6in(L) X 4in(W) X 4in(H) (141mm(L) X 90mm(W) X 117mm(H))
	2lb (0.8KG)



YACHT
BEAM



YACHT BEAM 1MM

Size 12 x 13 x 9.3" (31 x 33 x 23.5 cm)

Weight 36 lbs (16.39 kg)

Material Marine commercial grade cast aluminum, stainless steel, and tempered glass

Finish Salt-resistant, scratch-resistant powder coating

Input Voltage 12V-24VDC

Operation Remote controlled Point Pad™

Rotation 360° continuous

Elevation Up 18° - down 30°

Accessories Secondary Point Pad™ for remote control with install kit

YACHT BEAM 1MM+

Size 12 x 13 x 9.3" (31 x 33 x 23.5 cm)

Weight 36 lbs (16.39 kg)

Material Marine commercial grade cast aluminum, stainless steel, and tempered glass

Finish Salt-resistant, scratch-resisted powder coat

Input Voltage 12V-24VDC

Operation Remote joystick or wireless control

Rotation 360° continuous

Elevation Up 18° - down 30°

Accessories Micro Wireless Remote



YACHT BEAM 6MM

Candlepower 6,000,000

IP Index IP56

Weight 53Lb (24Kg)

Lamps Xeon lamp 150W

Turning Angle 360 ° (Endless)

Material Aluminum alloy die casting

Focus Adjustment Flood or spotlight

Elevation Up 15° - down 30°

Turning 360° degrees continuous rotation

Operation Electric joystick control



YACHT BEAM 8MM

Candlepower 8,000,000

IP Index IP56

Weight 53Lb (24Kg)

Lamps Xeon lamp 300W

Turning Angle 360 ° (Endless)

Material Aluminum alloy die casting

Focus Adjustment Flood or spotlight

Elevation Up 15° - down 30°

Turning 360° degrees continuous rotation

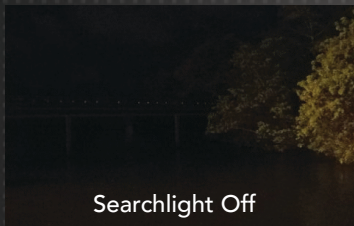
Operation Electric joystick control

LUMINOSITY COMPARISON CHART

Yacht Beam provides visible bright intense white light covering an area four times greater and DOUBLE the distance of a than 200,000 candlepower searchlight. This visibility provides a greater margin of additional reaction time to mistakes or a collision.

REACTION TIME BASED ON SEARCHLIGHT POWER

Boat Speed/Knots	Distance Travel in Ft. in 1 Min		200 CD Reaction Time		1MM Yacht Beam Reaction Time	
8	810	Visual Distance of 1.1 Lumen of Light	1313 Ft.	97 sec	2543 Ft.	188 sec
10	1013	Beam Diameter at Distance	35 X 48' Oval	78 sec	98' Circle	151 sec
15	1519	Beam Visibility Span of View at Distance	420 Sq. Ft.	52 sec	1715 Sq. Ft.	100 sec
25	2532	Reaction Time in Seconds to Avoid Collision at Center of Obstacle*	Note*	31 sec	Note*	60 sec
30	3039			26 sec		50 sec



Searchlight Off



Searchlight On



Searchlight Off



Searchlight On

BE PREPARED - SELECT THE SEARCHLIGHT MOST SUITABLE FOR YOUR BOAT!

Relative Luminous Intensity at 500 meters

1 Lumen = Minimum light required to see target or object



8MM Yacht Beam
300W Xenon

13.1
Lumens



6MM Yacht Beam
150W Xenon

8.7
Lumens



1MM Yacht Beam
Twin, 35-watt,
Metal Halide HID

2.71
Lumens



200CD

.8
Lumens

Lumens at 500 Meters
(1640 Ft.)





"Innovative Technology for the Marine Industry"

+1.888.898.8608 TheYachtGroup.com +1.305.667.5811

Corporate Office

4545 Ponce de Leon Blvd
Coral Gables, FL 33146

Showroom

1300 SE 17th St
Fort Lauderdale, FL 33316

Sales and Service Dealers Worldwide